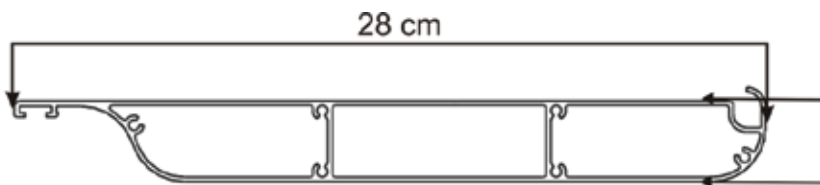
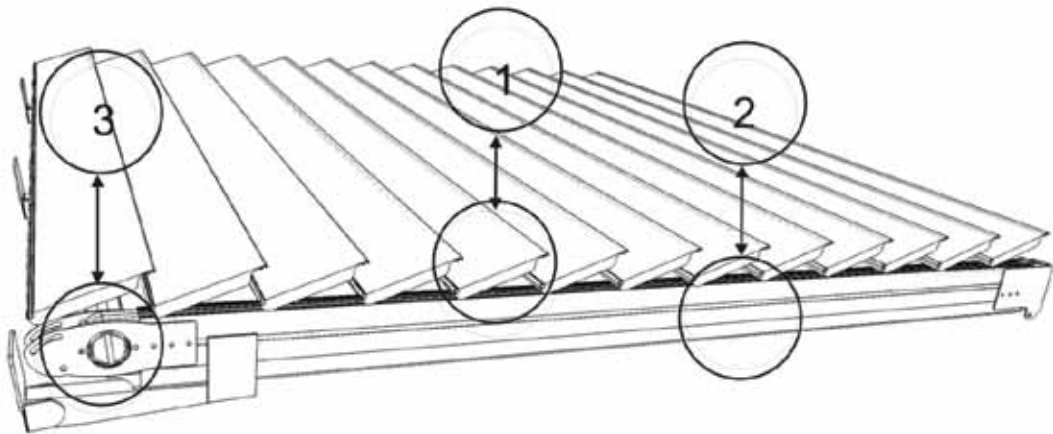




# **Eurola Persa Aluminium Retractable Roof Systems & Pergolas**

**EUROLA** // // //

# SPECIFICATIONS OF PARTS



3cm **1. Panel/Louver h:280mm x w:30mm**

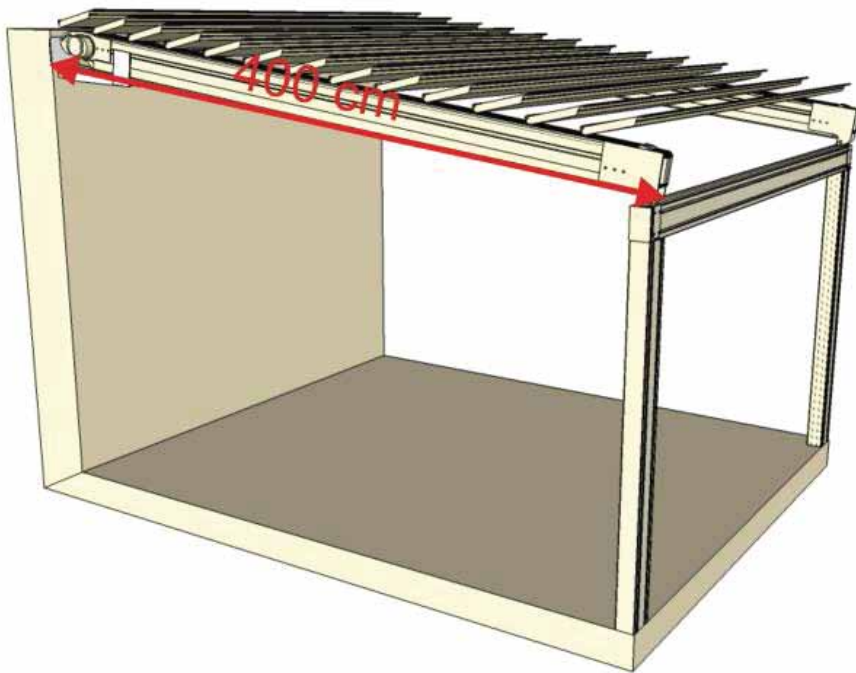


**2. Rafter h:160mm x w:60mm**

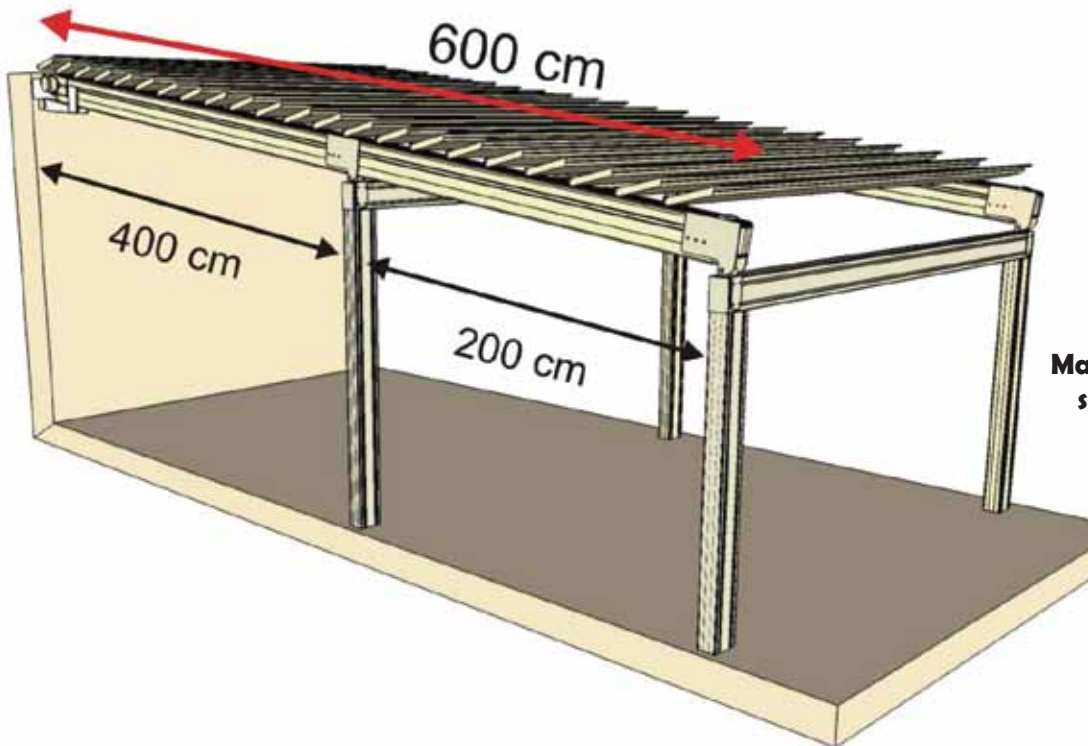


**3. Drive Tube: Radius 37.50mm**

# MAXIMUM PROJECTIONS

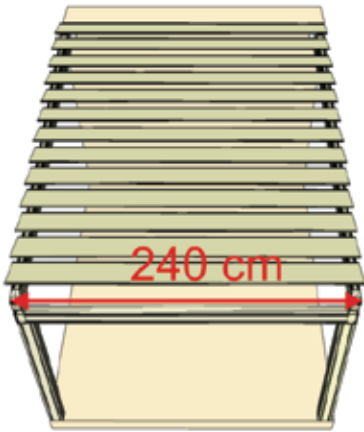


**Maximum projection with one (1) supporting frame/parapet is 4000mm (400cm)**

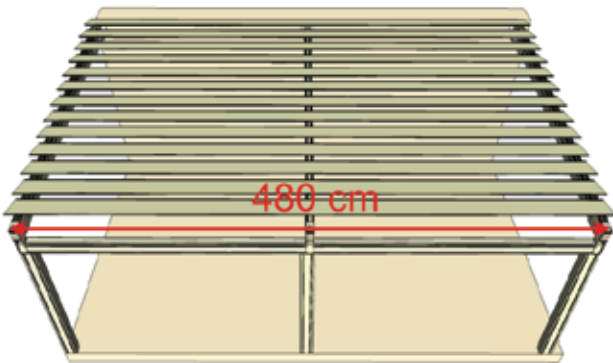


**Maximum projection with two (2) supporting frames/parapets is 6000mm (600cm)**

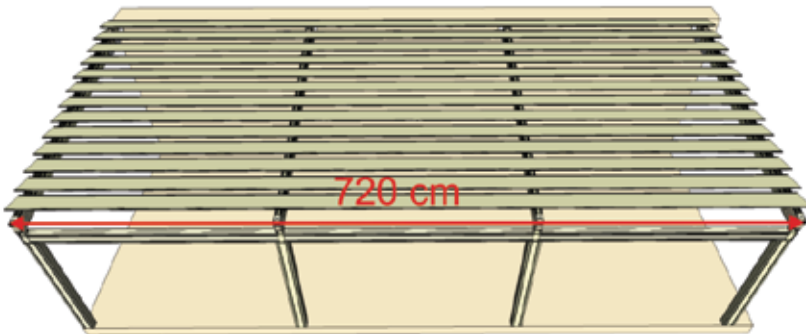
# MAXIMUM WIDTH BETWEEN RAFTERS



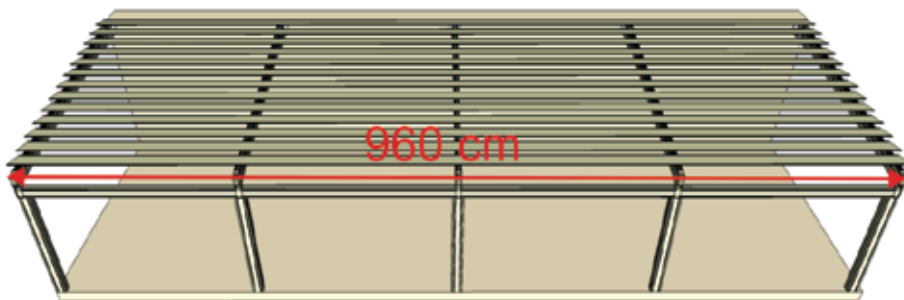
**Maximum distance between rafters is 2400mm (240cm)**



**Maximum Width with three (3) rafters is 4800mm (480cm)**

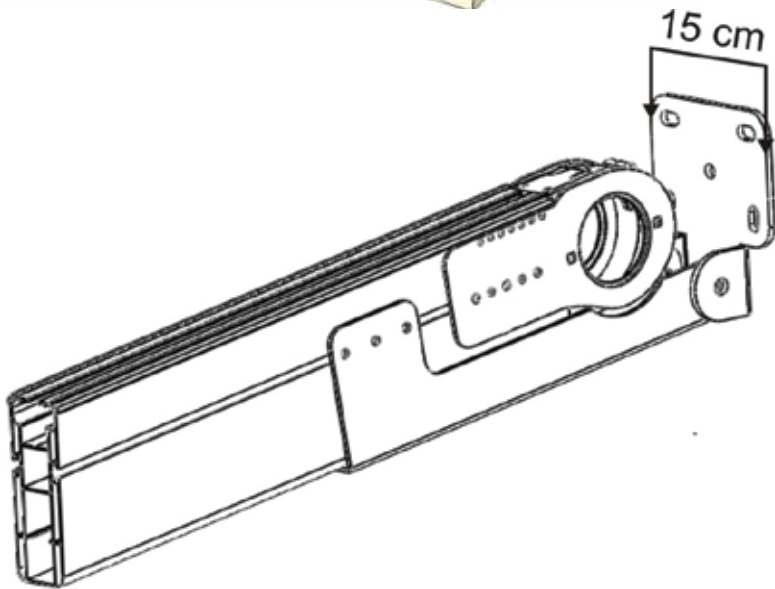
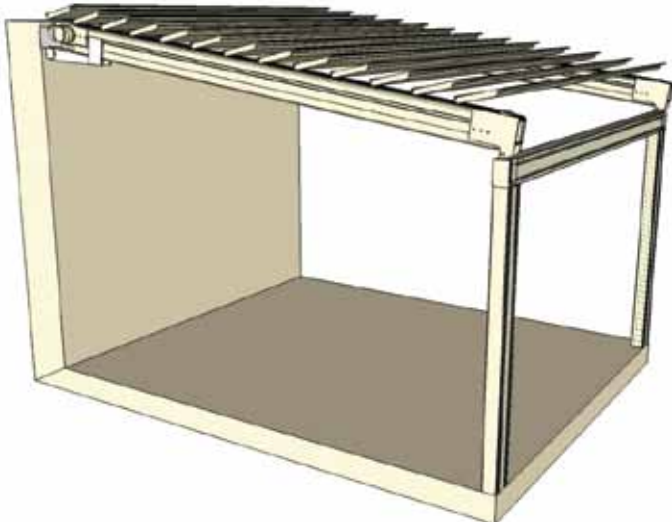


**Maximum Width with four (4) rafters is 7200mm (720cm)**

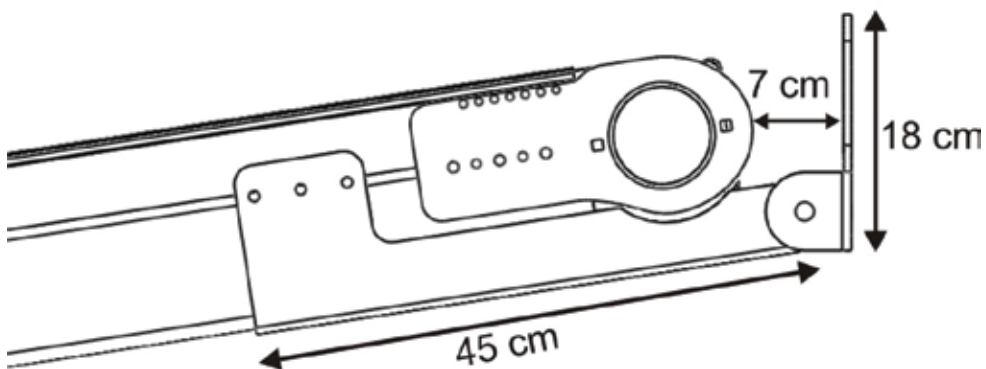


**Maximum Width with five (5) rafters is 9600mm (960cm)**

# WALL MOUNT BRACKETS

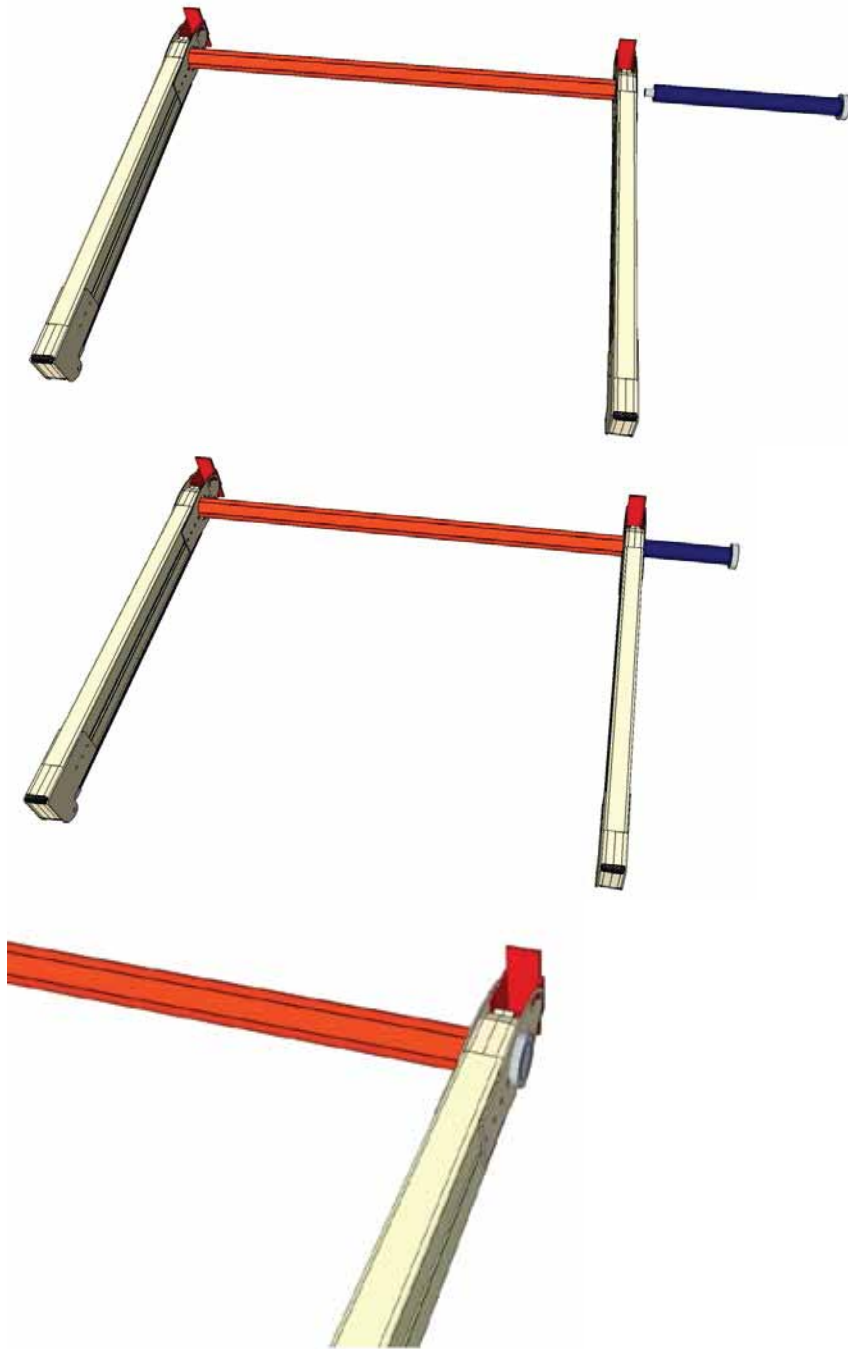


**Rafter Wall Mount  
Brackets:**  
h:180mm x w:150mm

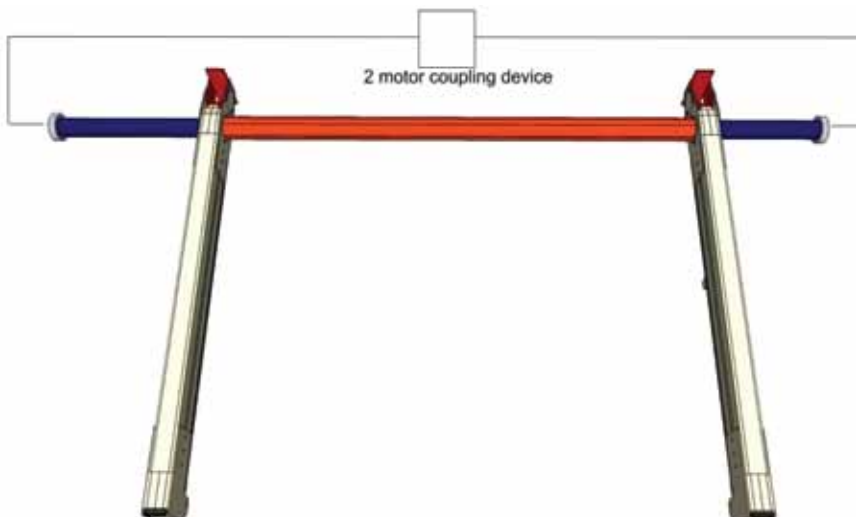


**Rafter bracket supporting  
arm = 450mm**  
**Distance from end of rafter  
to front of wall mount  
bracket = 70mm**

# MOTOR LOCATION AND PLACEMENT

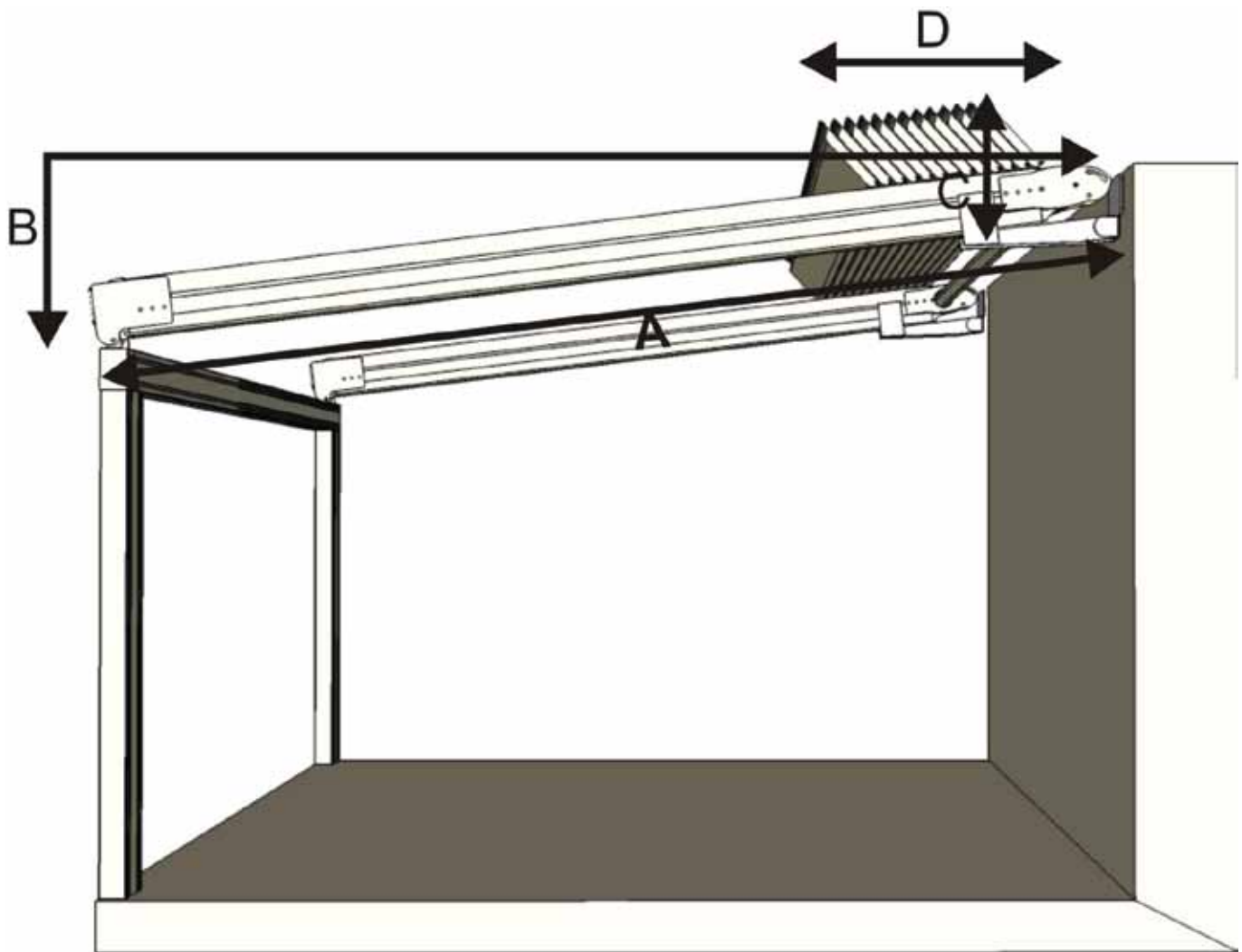


**Motor Placement:** Motor can be placed on either side of the retractable roof system or pergola to suite application.



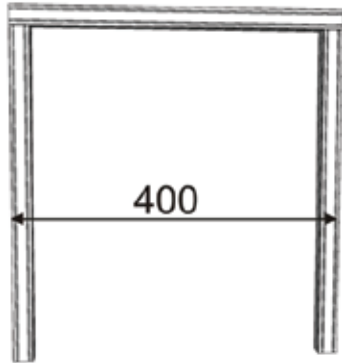
**For pergolas which are larger than 60 square meters, two (2) tubular motors connected to a coupler are used to reach the desired Nm Drive.**

# FINISH HEIGHT SPECIFICATIONS

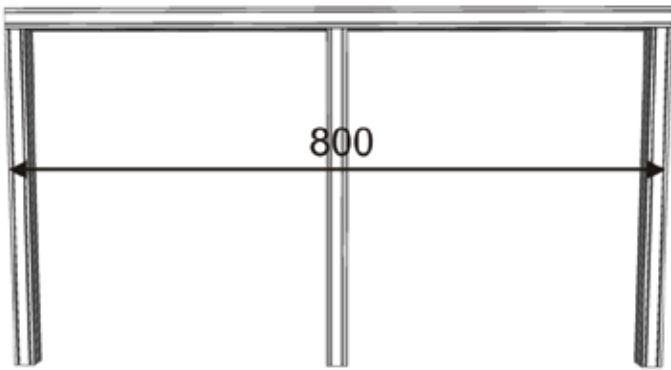


Projection (A)	Inclination(B)	Louver Height (C)	Retracted aluminum Louvers (D)
200cm	20 cm	48 cm	58cm -8 panels
225 cm	22.5 cm	48 cm	63cm -9 panels
250 cm	25 cm	48 cm	68cm-10 panels
275 cm	27.5 cm	48 cm	73cm-11 panels
300 cm	30 cm	48 cm	78cm-12 panels
325 cm	32.5 cm	48 cm	83cm-13 panels
350 cm	35 cm	48 cm	88cm-14 panels
375 cm	37.5 cm	48 cm	93cm-15 panels
400 cm	40 cm	48 cm	98cm-16 panels

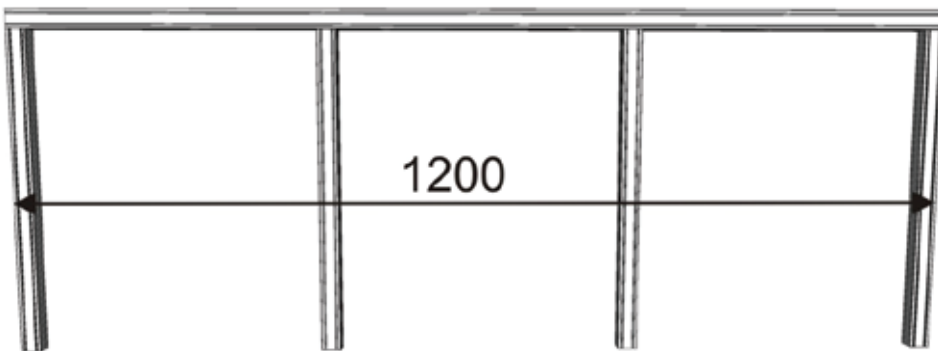
# MAXIMUM WIDTH BETWEEN SUPPORT FRAMES



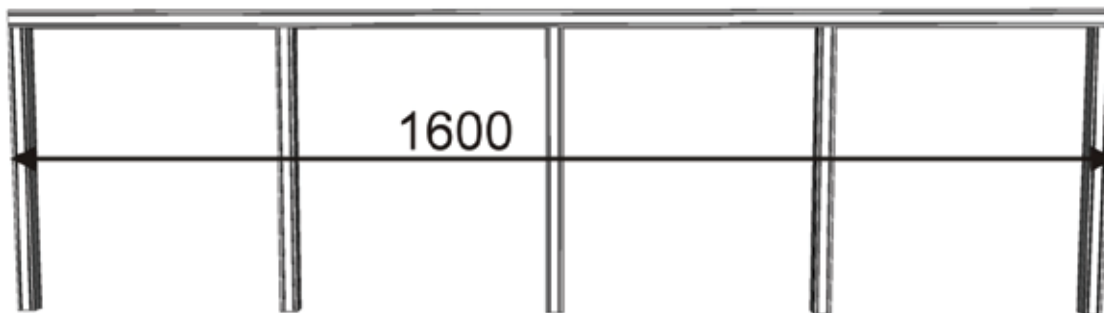
**Parapet with two (2) post can span a maximum of four (4) metres**



**Parapet with three (3) post can span a maximum of eight (8) metres**



**Parapet with four (4) post can span a maximum of twelve (12) metres**



**Parapet with five (5) post can span a maximum of sixteen (16) metres**





**EUROLA** Pty Ltd  
U1/46 Elizabeth St Campsie  
N.S.W 2194 Australia  
**P:** 02 9787 5882  
**F:** 02 9787 5118  
**E:** [enquiries@eurola.com.au](mailto:enquiries@eurola.com.au)  
**W:** [www.eurola.com.au](http://www.eurola.com.au)

**EUROLA** ///